



Additional display WD-4/1 in cooperation with measuring indicator series PUE C/31. Data displayed on the additional display are identical to those presented on the indicator of weighing instrument. WD-4/1 :  
ABS plastic casing, cable with input DB9.

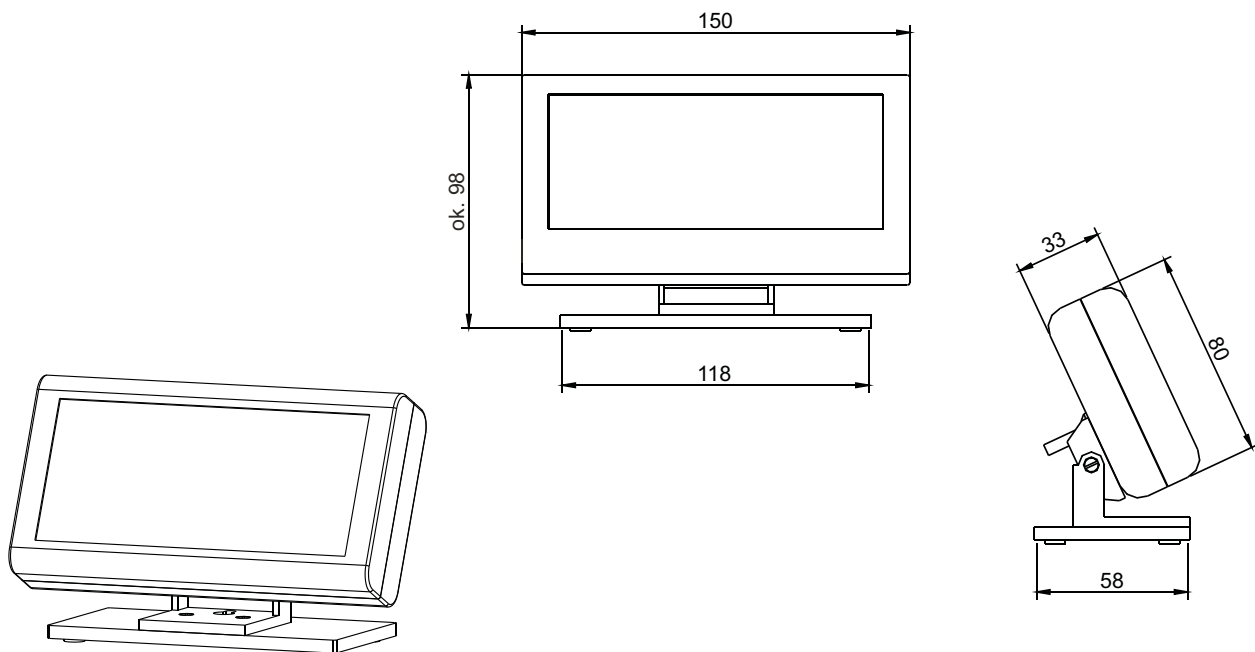
Basic features:

- automatic detection of speed of transmission
- automatic switch off
- LCD backlight
- power supply from measuring indicator (scale)

Additional display WD-3/01 in cooperation with scales PS, PS/X, XA/X, AS/X, AS, APP and APP/X.

Basic features:

- automatic switch off
- LCD backlight
- power supply from measuring indicator (scale)



## Specification:

Power supply	6V DC from measuring indicator (scale)
Digit size	19 mm
Connection cable length	1,5 m
Dimensions	150 × 80 × 33 *

**WORLDWIDEMARKETING:**

**CITIZEN SCALE (I) PVT. LTD.**

Unit No. E2, Plot No. 11, WICEL Estate, Opp. Seepz Gate No.1, Andheri (E), Mumbai 400 093. (INDIA)  
Tel. : +91-22-4243 7700 • Fax : +91-22-4243 7800 • E:mail : sales@citizenscales.com • Web : www.citizenscales.com